

# M400K/M500K Conventional Callpoint



---

## Model Available

M400K/M500K

---

## Description

The M400K/M500K is designed to provide a manual interface for causing an alarm on the fire alarm system. The two-wire circuit design allows remote communication with the monitoring control panel while also providing a localized LED.

---

## Specifications

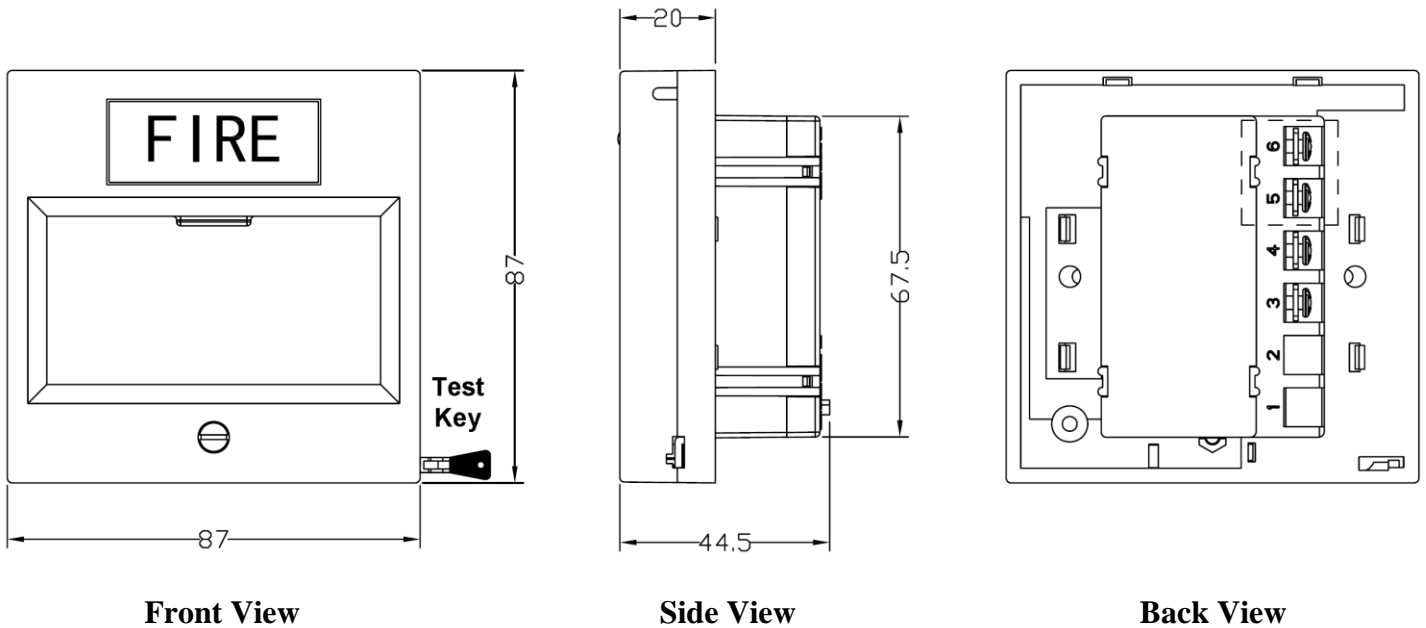
Operating Temperature: 0°C-50°C  
Current Rating : Max. Alarm Current- 30 mA

---

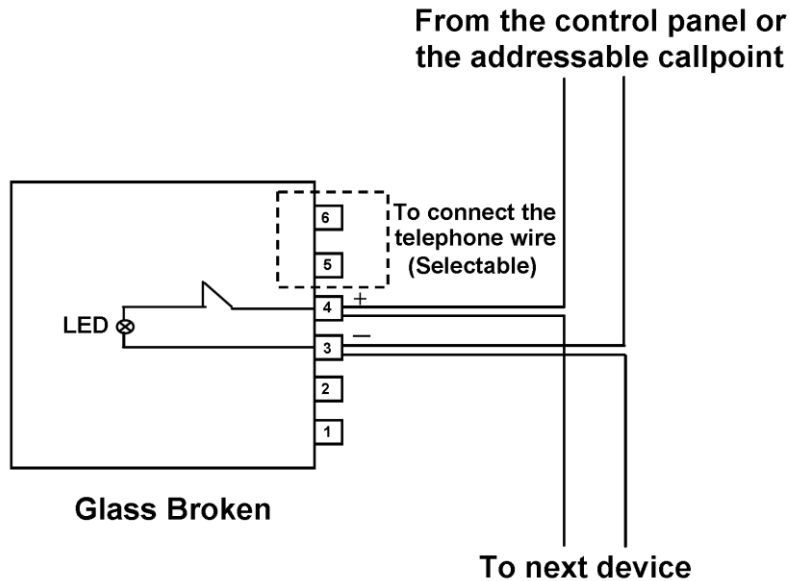
## Mounting Arrangements

The M400K is designed for indoor application. If hazardous or external application is desired, please contact your supplier for additional application recommendations.  
Flush: Will fit to standard 76x76mm<sup>2</sup> box ( 60mm center ).

# Mechanical Specifications



## Wiring Diagram



## Ordering Information

Model Number	Ordering Number	Product Description	UOM
M400K	M400K	Conventional Callpoint with LED indicating	EA.
	M400K/T	Conventional Callpoint with LED indicating & phone jack	EA.
M400KR	M400KR	Conventional Callpoint with certain resistance	EA.
M400KA	M400KA	Conventional Callpoint without LED indicating	EA.
F35-500-07C	F35-500-07C	Pack of 10 pcs replacement glass	Pack
BBS-X	BBS-X	Mounting box	EA.



System Sensor Headquarters  
3825 Ohio Avenue  
St. Charles, IL 60174  
Ph: 630-377-6580  
Fx: 630-377-6495  
Free Phone: 800-736-7672  
Web: www.systemsensor.com

System Sensor China  
28 Tuan Jie South Road,  
Hi-Tech Development Zone  
Xi'an, 710075, China  
Ph: +86 29 85387800  
Fx: +86 29 88895930  
Web: www.systemsensor.com.cn

System Sensor Canada  
Ph: 905-812-0767  
Fx: 905-812-0771

System Sensor Europe  
Ph: 44 (0) 1527 406700  
Fx: 44 (0) 1527 406699

System Sensor Italy  
Ph: 39 040 949 0111  
Fx: 39 040 382 137

System Sensor Mexico  
Ph: 54 11 4324-1909  
Fx: 54 11 4324-5999

System Sensor Far East Ltd  
Ph: 852 21919003  
Fx: 852 27366580

System Sensor Singapore  
Ph: 65 6273 2230

System Sensor India  
Ph: 91 124 2371770-270  
Fx: 91 124 2373118

System Sensor Australia  
Ph: 61-3-5428 1142  
Fx: 61-3-5428 1172